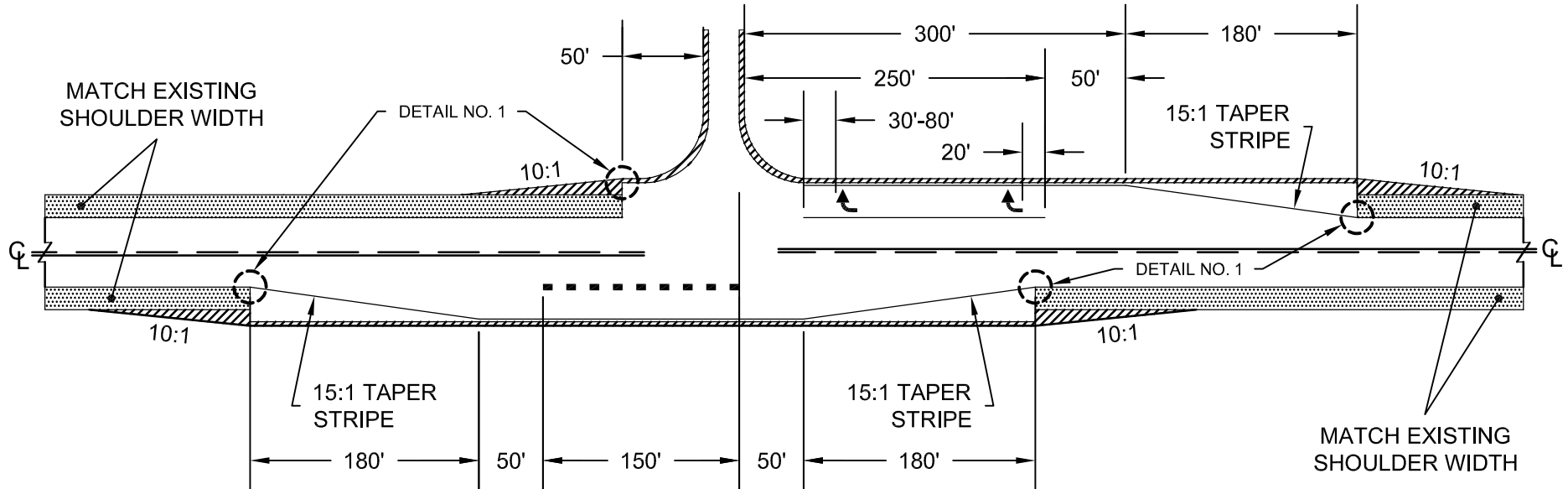
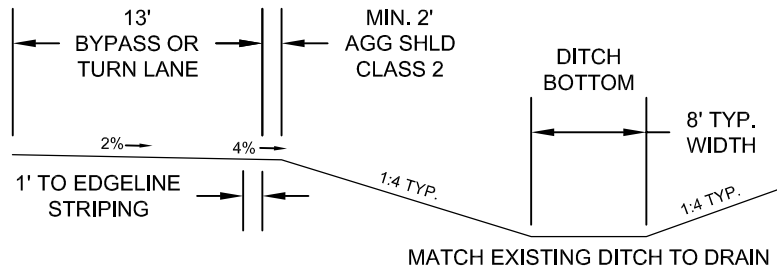


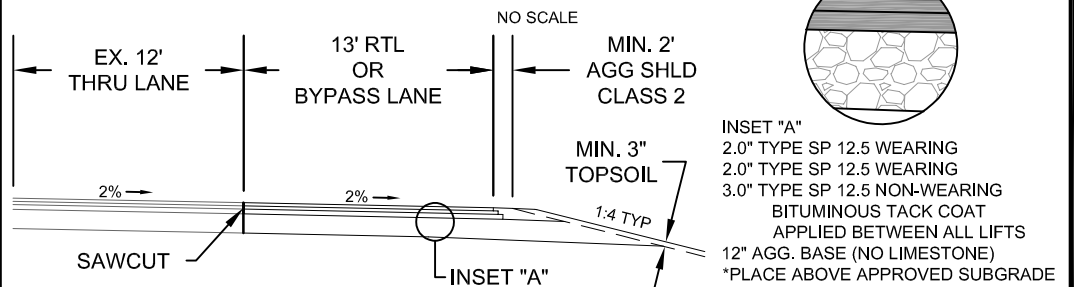
REFER TO MnDOT TRAFFIC ENMANUAL - FIGURE 7.10 FOR STRIPING DETAIL.



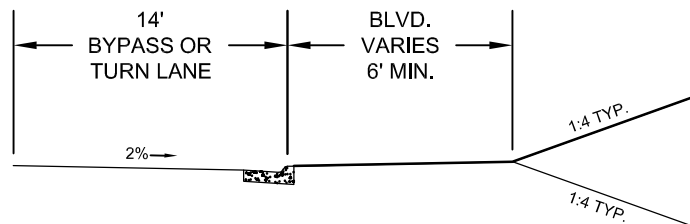
**RURAL**



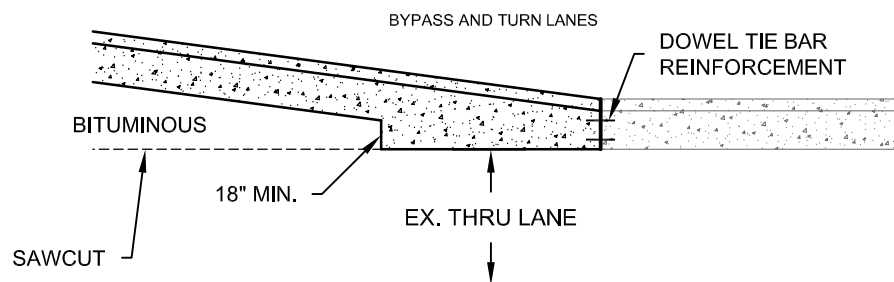
**TYPICAL SECTION**



**URBAN**



**DETAIL NO. 1 - URBAN TIE IN**



**BYPASS / RIGHT TURN LANE DETAIL**